

ML50 Panels

MurphyLink® Series

The MurphyLink Series ML50 Panels feature PVCAN gages and the PowerView® PV25, an engine and diagnostic display in an economical and compact package. This J1939-compliant device provides electronic engine parameter data, is simple to install and matches the PowerView line of rugged displays. The PV25 can be powered by 12 or 24 volt systems.

The PV25 is equipped with two push buttons to quickly access a convenient menu. In addition, a back lit graphic display and two LEDs indicate Active-fault Alarm or Shutdown status.

Active and Stored Fault messages display the SPN (Suspect Parameter Number), FMI (Failure Mode Indicator) and the OC (Occurrence Count) using the SAE J1939 protocol.

Features

- Stage IIIB/IV Compliant/Ready
- Compact J1939-compliant device for electronically controlled engines
- Displays up to 20 standard J1939 parameters
- Active and stored diagnostic trouble codes
- Analog gages
- Provides enhanced visual alarm indication using bright alarm and shutdown LEDs

Specifications

Operating Voltage:

12/24 VDC (6.5-32VDC Minimum and Maximum Voltage) Operating

Current: 1.2A MAX

Mounting: 4-.75 in. Rubber Isolated Shockmounts

Starting Method: KeySwitch

Stopping Method: KeySwitch

Display: PowerView Model 25 Indication Gages

- 1) Engine Temperature
- 2) Engine Oil Pressure
- 3) Engine Speed (Analog Tachometer)

Indication Lamps: One red, One Amber via PV25 Display

Enclosure Material: Powder-Coated Cold Rolled Steel

Wiring Interface: 1-Deutsch HDP 21pin Connector

Throttle Method: Rocker Switch (Digital Inputs to ECU)

Tier 4 Regeneration: CAN Enabled (via PV25) or Rocker Switch (via Digital Input to ECU)

Operational Temperature: -40° to +158°F (-40° to +70°C)

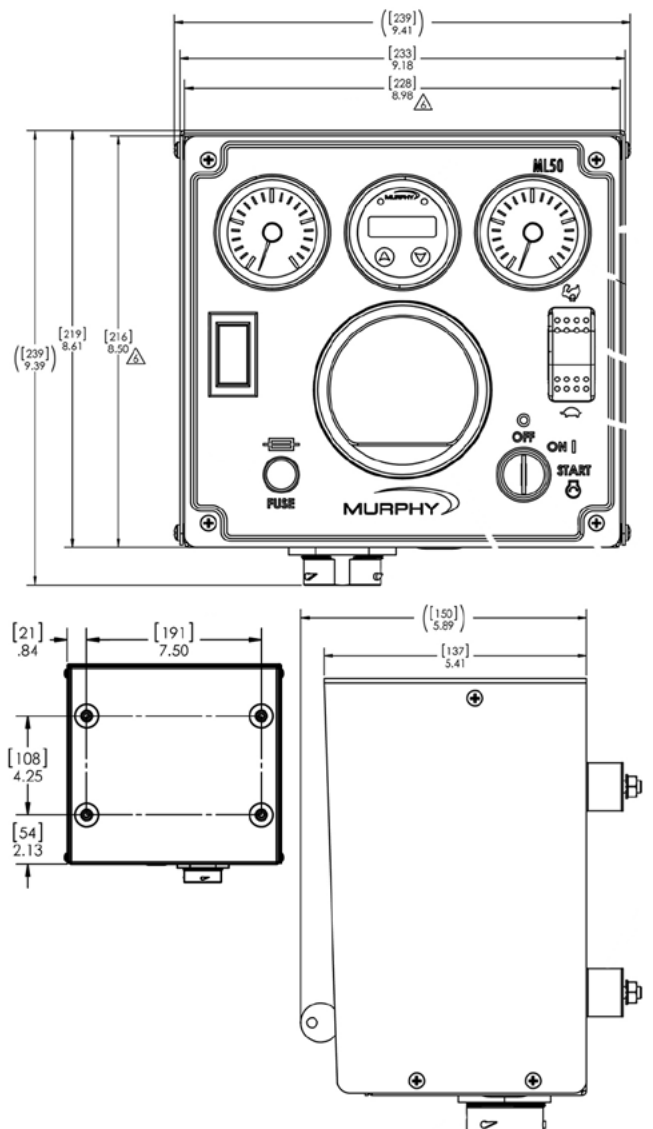
Storage Temperature: -55° to +185°F (-67° to +85°C)

Box Dimensions: 15.4 X 13.4 X 8.5 (391 X 340.4 X 216 mm)

Shipping Weight: 10.5 lbs (4.8 kg)



Dimensions



How to Order

Part Number	Model and Description	Notes
32700212	ML50-FP: PV25 with gages flat only, PTO Ramp throttle method, 12/24 VDC	Flat panel
32700213	ML50: PV25 with gages enclosed, PTO Ramp throttle method, 12/24 VDC	Enclosed panel
32700214	ML50-T4-FP: PV25 with gages flat only w/ T4 switch, PTO Ramp T4 Rocker throttle method, 12/24 VDC	Flat panel
32700215	ML50-T4: PV25 with gages enclosed w/ T4 switch, PTO Ramp T4 Rocker throttle method, 12/24 VDC	Enclosed panel